

THANKS FOR YOUR PREFERENCE TO BINOTTO!

Binotto® MOUNTING INSTRUCTIONS CAB CONTROL

(order code: DPN#AW)

MI_DPN#AW • Rev. A • 25 SEP 2014 • Pag.1

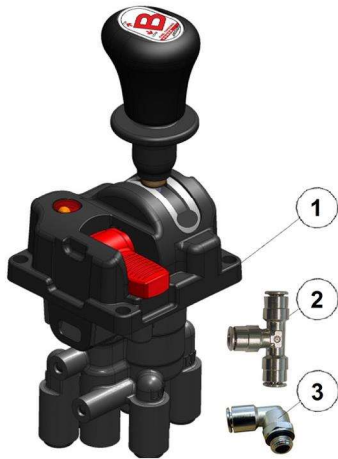


Fig.1

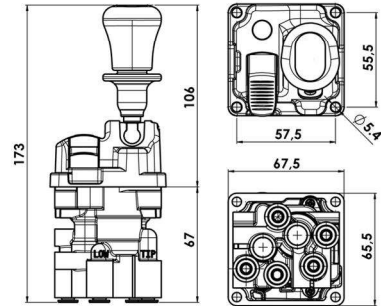


Fig.2

REF	DESCRIPTION ITEM	Q.TY
1	Cab control	1
2	T-fitting for air tube Ø6 mm	1
3	90°-fitting for air tube Ø6 mm	1

Tab.1

Functioning	Pneumatic	
Body composition	Technopolymer	
Knock-off PTO	Automatic	
Lever return TIP/LOW	Manual	
Air fittings	Ø6 mm	

Tab.2

1. FUNCTIONAL DIAGRAM

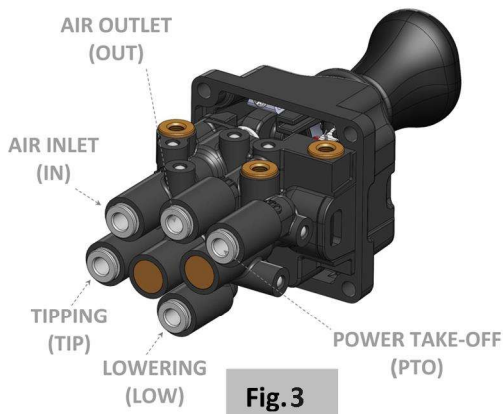


Fig.3

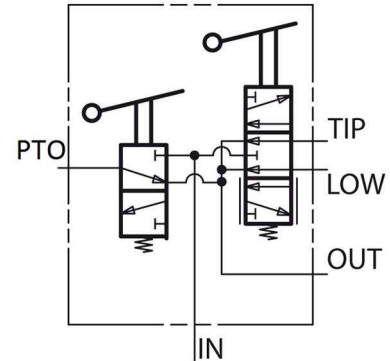


Fig.4

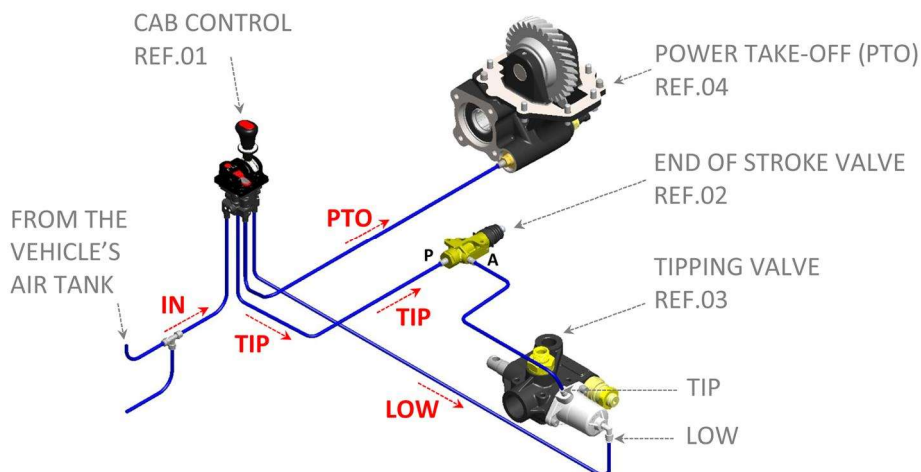


Fig.5

Complete instruction manuals and video aided instructions are available on www.binotto.com. Register on-line to access to the Operators' Reserved Area. Subject to change without notice.

2. ELECTRICAL CONNECTION

Connect the lamp to the feeding (max. 24V). LED absorption 20 mA. Fasten the red wire to the positive pole and the black wire to the negative one (see Fig.6).

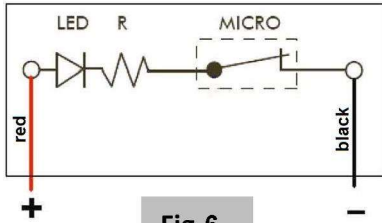


Fig.6

3. MOUNTING INSTRUCTIONS

3.1. PTO ENGAGEMENT

- Press the clutch pedal fully and wait 2 or 3 seconds;
- Lift the red lever (see Fig.7);
- Release the clutch pedal after 1 or 2 seconds.

3.2. TIP

- Release the syringe from safety position lifting it upwards (see Fig.8);
- Move the cloche to tip position (see Fig.9) and keep it as long as the operation is completed;
- At the end move the cloche to central position (see Fig.7);
- With the manual version it is possible to lock the cloche into tipping position.

3.3. PTO DISENGAGEMENT

- Press the clutch pedal fully and keep it pressed for 2-3 seconds;
- The PTO can be disengaged into 2 ways: by manually lowering the red lever to neutral position (see Fig.10) or automatically when the lowering operation has begun;
- Release the clutch pedal after 1-2 seconds.

3.4. PROPORTIONAL LOWERING

- If the PTO is still engaged, press the clutch pedal and keep it pressed for 2-3 seconds;
- Release the syringe from safety position lifting it upwards (see Fig.8);
- Move the cloche to lowering position (see Fig.11) keeping adjusting the position (different angular positions correspond to different lowering speeds). The PTO is automatically disengaged as soon as the cloche is moved to lowering position. The clutch pedal can be released after 1-2 seconds from the PTO automatic disengagement;
- In the manual version it is possible to lock the lever into the lowering position.



Fig.7
ENGAGEMENT
PTO



Fig.8
UNLOCK
SAFETY



Fig.9
TIP
POSITION



Fig.10
NEUTRAL
POSITION



Fig.11
LOW
POSITION

4. TYPES OF MOUNTING

SIDE MOUNTING

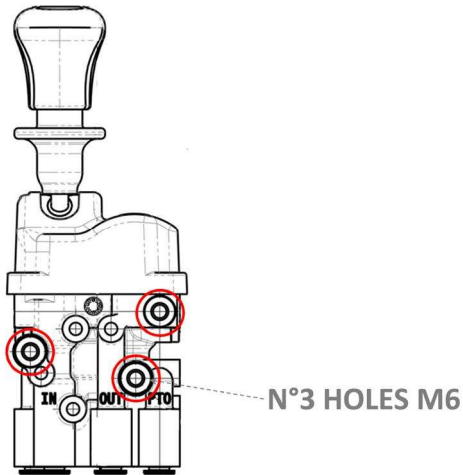


Fig.12

FRONT MOUNTING

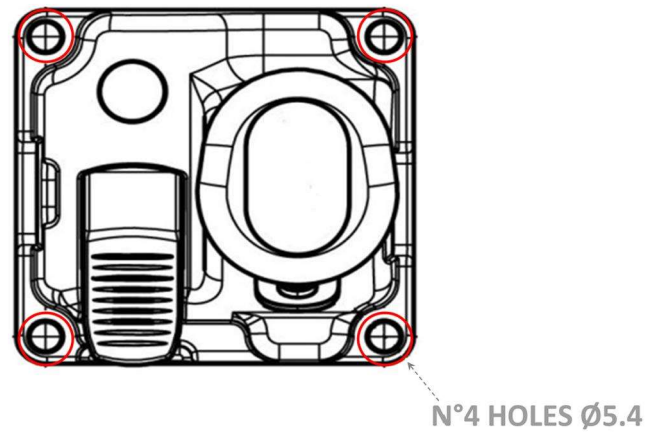
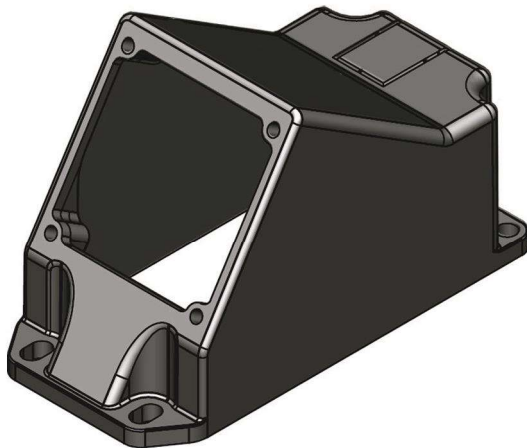


Fig.13

5. CAB CONTROL SUPPORTS



Order code: DPN_PLA-002

Fig.14

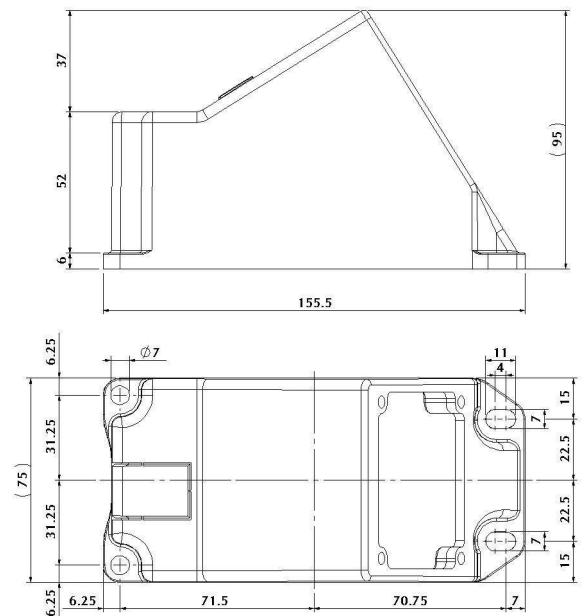


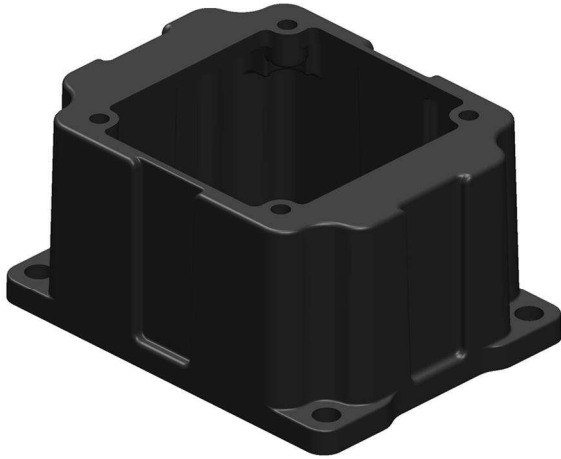
Fig.15

THANKS FOR YOUR PREFERENCE TO BINOTTO!

Binotto® MOUNTING INSTRUCTIONS CAB CONTROL

(order code: DPN#AW)

MI_DPN#AW • Rev. A • 25 SEP 2014 • Pag.4



Order code: DPN_PLA-004

Fig.16

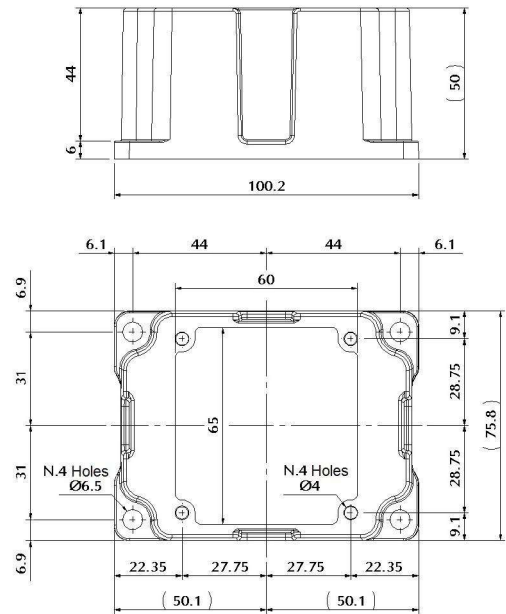
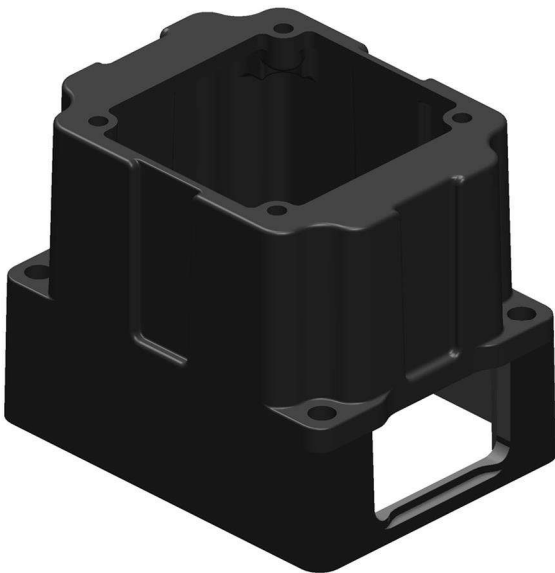


Fig.17



Order code: DPN_PLA-005

Fig.18

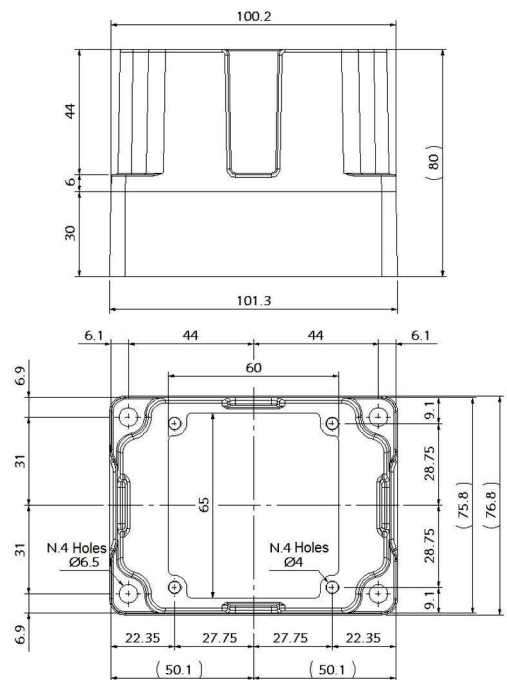


Fig.19